

PRODUCT NUMBER

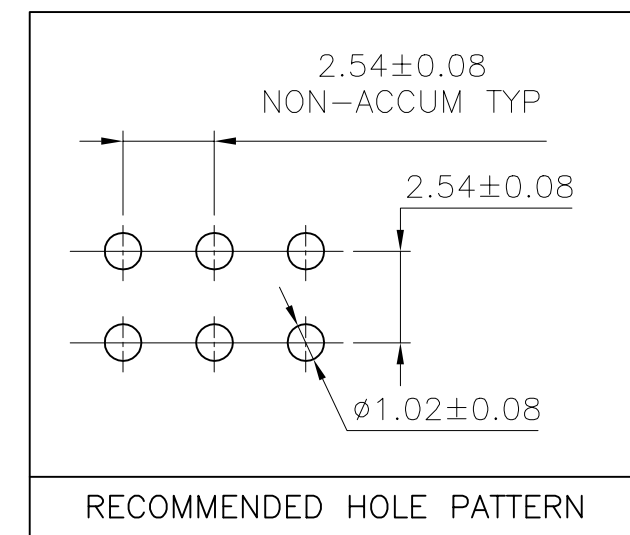
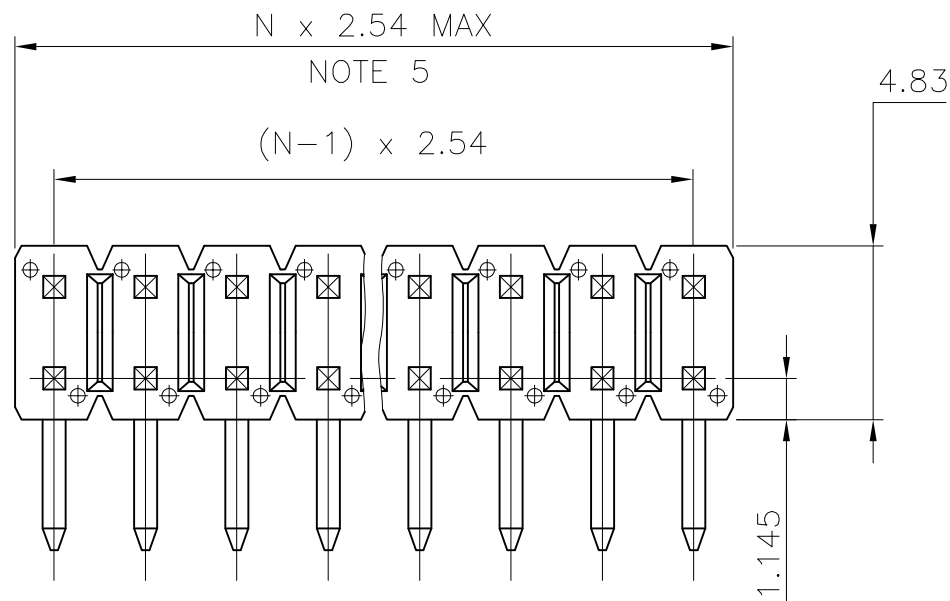
77317-YXX-XXLF

WHEN REQUIRED, ADD SUFFIX LETTER "LF"
INDICATES THE PRODUCT IS RoHS
COMPATIBLE, SEE NOTE 7

TOTAL NB OF POSITIONS 04 TO 72

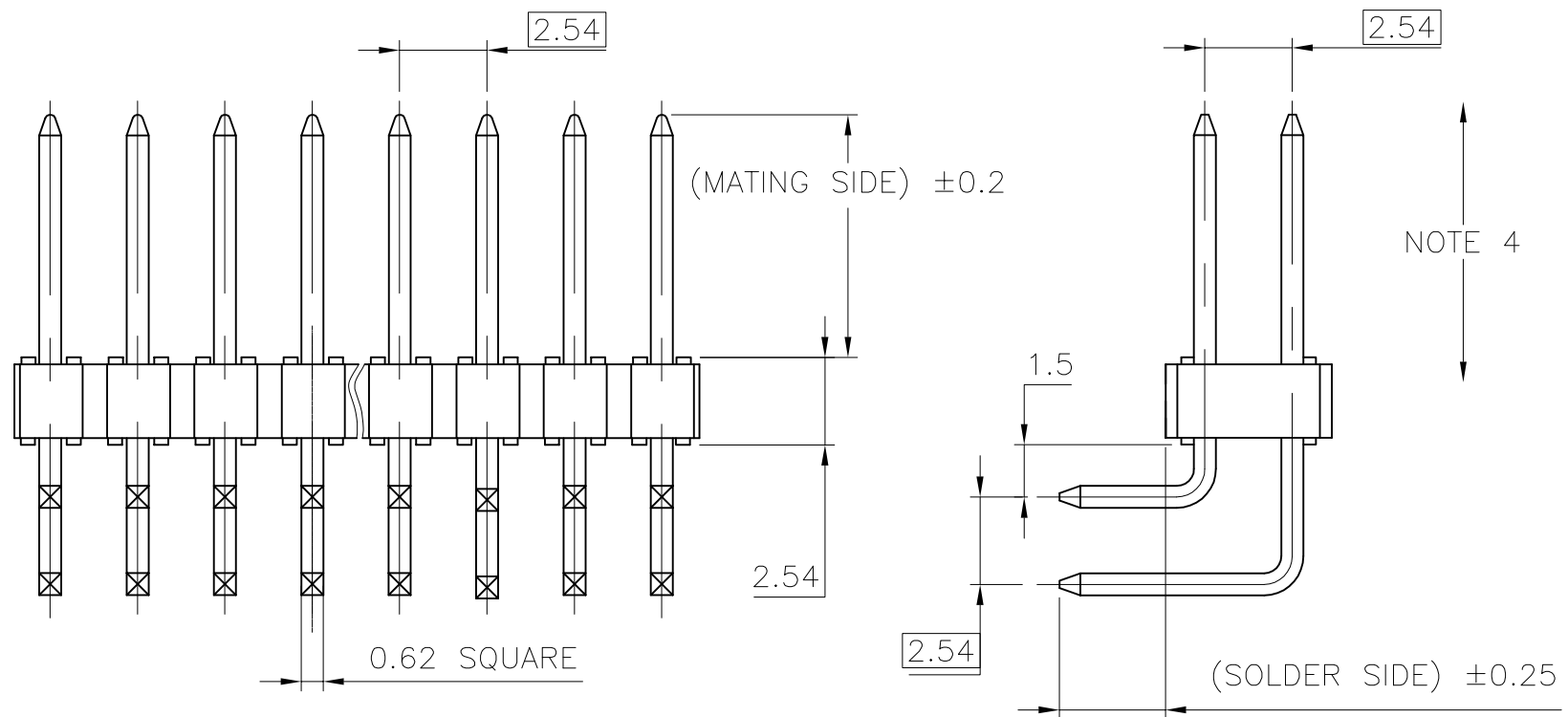
PIN STYLE SEE SHEET 2

PLATING SEE SHEET 2



NOTES:

1. HOUSING MAT'L : HIGH TEMPERATURE THERMOPLASTIC. UL94V-0 COLOR: BLACK
2. PIN MATERIAL : PHOSPHOR BRONZE
3. PRODUCT PACKAGED IN POLY BAGS.
4. 9N MIN RETENTION IN EITHER DIRECTION
5. TO DETERMINE DIMENSIONS :
N = NUMBER OF POSITIONS PER ROW
EXAMPLE : 8 POS N x 2.54 = 20.32mm
6. UNDERPLATING : 1.27µm Ni MIN
7. RoHS COMPATIBLE PRODUCT SPECIFICATIONS
 - a - PLATING:
- "LF" MEANS THE PRODUCT IS LEAD-FREE, 2µm MINIMUM MATTE TIN OVER 1.27µm MINIMUM NICKEL UNDERPLATE.
 - b - MANUFACTURING PROCESS COMPATIBILITY
- THE HOUSING WILL WITHSTAND EXPOSURE TO 260°C ±5°C SOLDER BATH TEMPERATURE FOR 5 SECONDS IN A WAVE SOLDER APPLICATION WITH A 1.6mm MIN THICK CIRCUIT BOARD.
 - c - LABELING:
- MEETS PACKAGING SPECS AS PER GS-14-920
 - d - LEGAL STATEMENT: SEE GS-22-008



mat'l. code SEE NOTES				surface ISO 1302	tolerance ISO 406 ISO 1101	projection	product family BERGSTIK
ltr	ecn no	dr	date	tolerances unless otherwise specified		mm	title UNSHR.HEADER RA DR TMT
AA	F04-0167	JCO	04.04.05	angles	.X ±0.3		dwg no 77317
AB	F04-0362	LMU	04.11.29	linear	.XX ±.015	scale 5:1	sheet 1 of 2
AC	F06-0207	LMU	06.07.27		.XXX ±0.05		size A3
AD	F06-0263	LMU	06.10.27	dr	D.LE 01.01.24	FCJ	type CUSTOMER Drawing
AE	F08-0148	RTR	08.03.31	enr	JM.C 01.01.24		
Y	F04-0129	LMU	04.02.04	chr	JM.C 01.01.24		
				appd	JF.N 01.01.24		
sheet index	revision sheet	AE	AC				
		1	2				

CATALOGUE RANGE

PLATING	PIN STYLE	MATING	SOLDER
1/4/8	03	5.84	2.54
1/4/8	04	5.84	3.05
1/4/8	12	6.8	3.05

PLATING

- 1 = 0.76µm GOLD/GXT ON CONTACT AREA
3.81µm TIN-LEAD ON TAIL
- 4 = 3.81µm TIN-LEAD ON CONTACT AREA
AND ON TAIL
- 8 = 0.38µm GOLD/GXT ON CONTACT AREA
3.81µm TIN-LEAD ON TAIL
- WHEN "LF" IS REQUIRED, 2µm MATTE
TIN OVER 1.27µm MIN NICKEL IS
PROVIDED INSTEAD OF TIN-LEAD

APPLICATION SPECIFIC

PLATING	PIN STYLE	MATING	SOLDER
1/4/8	01	5.72	2.57
1/4/8	14	10	2.7
1/4/8	15	7	16.4
1/4/8	16	7.8	13.5
1/4/8	17	7.48	1.6
1/4/8	18	8.80	2.90

PLATING

- 1 = 0.76µm GOLD/GXT ON CONTACT AREA
3.81µm TIN-LEAD ON TAIL
- 4 = 3.81µm TIN-LEAD ON CONTACT AREA
AND ON TAIL
- 8 = 0.38µm GOLD/GXT ON CONTACT AREA
3.81µm TIN-LEAD ON TAIL
- WHEN "LF" IS REQUIRED, 2µm MATTE
TIN OVER 1.27µm MIN NICKEL IS
PROVIDED INSTEAD OF TIN-LEAD



Copyright FCI

mat'l. code SEE NOTES				surface ISO 1302 <input checked="" type="checkbox"/>	tolerance ISO 406 ISO 1101	projection 	product family BERGSTIK
ltr	ecn no	dr	date	tolerances unless otherwise specified		mm	title UNSHR.HEADER RA DR TMT
X	F04-0362	LMU	04.11.29	angles	.X ±0.3		
AA	F06-0207	LMU	06.07.27	linear	.XX ±.015		
AB	F06-0263	LMU	06.10.27		.XXX ±0.05	scale 5:1	
AC	F08-0148	RTR	08.03.31	dr	D.LE 01.01.24		dwg no 77317
				enr	JM.C 01.01.24		sheet 2 of A3
				chr	JM.C 01.01.24		
				appd	JF.N 01.01.24		type CUSTOMER Drawing
sheet index	revision sheet						